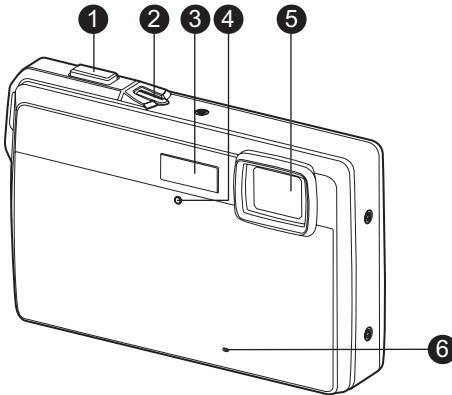


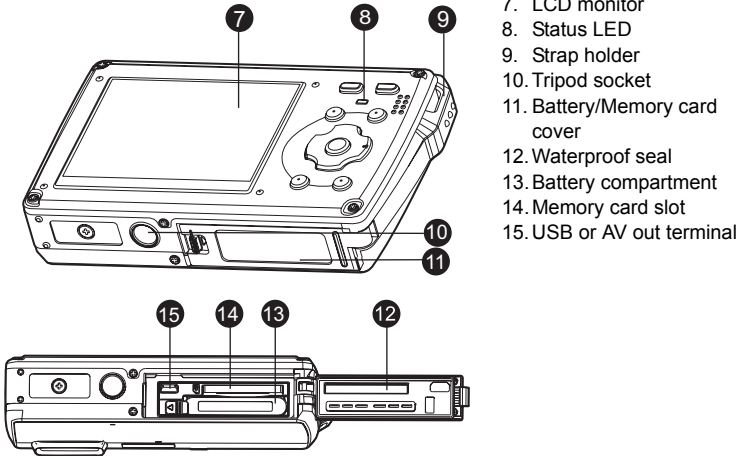
GETTING TO KNOW YOUR AGFAPHOTO OPTIMA 830UW

Front View

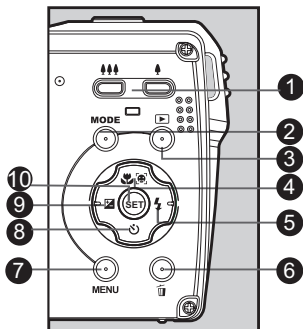


1. Shutter button
2. Power button
3. Flash
4. Self-timer LED
5. Lens
6. Microphone

Rear View



Button Operation

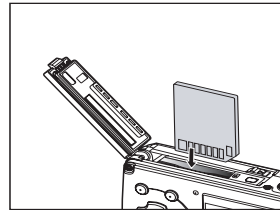
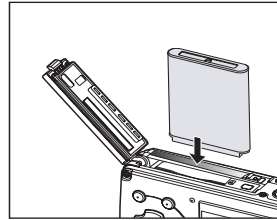
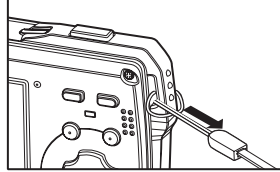


Item	Function		
	📷 Capture Mode	📹 Video Mode	▶ Playback Mode
1.	⏏: Zooms out ⏏: Zooms in	⏏: Zooms out ⏏: Zooms in	⏏: Thumbnail ⏏: Zooms in
2.	Capture Mode: switches to: video mode > scene mode selection screen	Switches to: scene mode selection screen > capture mode	Still image: Switches to capture mode Video clip: Switches to video mode
3.	Switches to playback mode	Switches to playback mode	Still image: Switches to capture mode Video clip: Switches to video mode
4.	Sets focus mode: auto>📷>📷>∞	Sets focus mode: auto>📷>∞	Rotation right
5.	Sets flash mode: Auto>📷>📷>📷>📷	--	Next file
6.	--	--	Delete present file
7.	Switches to capture menu list	Switches to video menu list	Switches to playback menu list
8.	Sets self-timer mode: Off>📷>📷>📷	Sets self-timer mode: Off>📷>📷	--
9.	Sets exposure compensation	--	Previous file
10.	If any scene mode is set: switches to scene mode selection screen	--	Still image: Displays image. Records voice memo if "Voice Memo" is set to "On". Video clip: Plays video clip

GETTING STARTED

Preparation

1. Attach the camera strap.
2. Open the battery/memory card cover.
3. Insert the supplied battery with correct orientation as shown.
4. Insert an SD/SDHC memory card (Optional).
 - The camera has 32MB internal memory (approx. 28MB available for image storage), but you can load an SD/SDHC memory card to expand the camera's memory capacity.
 - Be sure to format the memory card with this camera before its initial usage.
5. Close the battery/memory card cover and make sure it is locked securely.

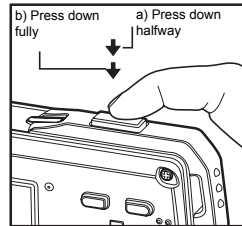


CAPTURE MODE

Capturing Images

Your camera is equipped with a 2.5" full color TFT LCD monitor to help you compose images, playback recorded images/video clips or adjust menu settings.

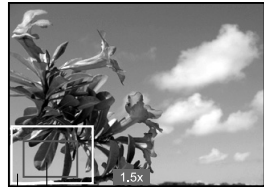
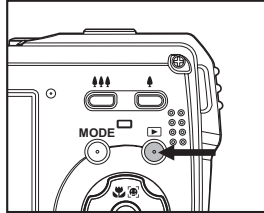
1. Press the power button to turn the power on.
 - The status LED lights green and the camera is initiated.
2. Toggle the **MODE** button to [📷].
3. Compose your image in the LCD monitor.
 - Pressing the **▲** button zooms in on the subject, and enlarges the subject on the LCD monitor.
 - Pressing the **■** button provides a wider angle image.
4. Press the shutter button.
 - Pressing the shutter button down halfway automatically focuses and adjusts the exposure, and pressing the shutter button down fully captures the images.
 - The focus area frame turns green when the camera is in focus and the exposure is calculated.
 - When the focus is not suitable, the frame of the focus area turns red.



Playing Back Still Images

You can play back the still images on the LCD monitor.

1. Press the **[▶]** button.
 - The last image appears on the screen.
2. The images can be displayed in forward or reverse sequence with the **◀ / ▶** buttons.
 - To view the previous image, press the **◀** button.
 - To view the next image, press the **▶** button.
 - Pressing the **▲** button during image playback will result in a 90-degree clockwise rotation display.
 - Pressing the **⬇** button enlarges the image.
 - To return to normal magnification, press the **▲▲▲** or **SET** button.



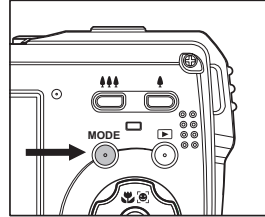
Entire image Current position of enlargement

VIDEO MODE

Recording Video Clips

This mode allows you to record video clips at a resolution of VGA 640 x 480 / QVGA 320 x 240 pixels.

1. Toggle the **MODE** button to [📹].
2. Compose the image.
3. Press the shutter button.
 - The recording of the video clip will start.
 - Pressing the shutter button one more time will end the recording of the video clip.
 - The recording time depends on the storage size and the subject of the image to be recorded.
 - The zoom function cannot be used during video recording.



Playing Back Video Clips

You can play back recorded video clips on the camera.

1. Press the [📺] button.
 - The last image appears on the screen.
2. Select the desired video clip with the ◀ / ▶ buttons.
3. Press the **SET** button.
 - A press of the ▶ / ◀ buttons during playback allows fast forward play / fast reverse play.
 - To stop video playback, press the ▼ button.
This stops playback and returns to the start of the video clip.
 - To pause video playback, press the **SET** button.
This pauses video playback.
To cancel pause, press the **SET** button again.

