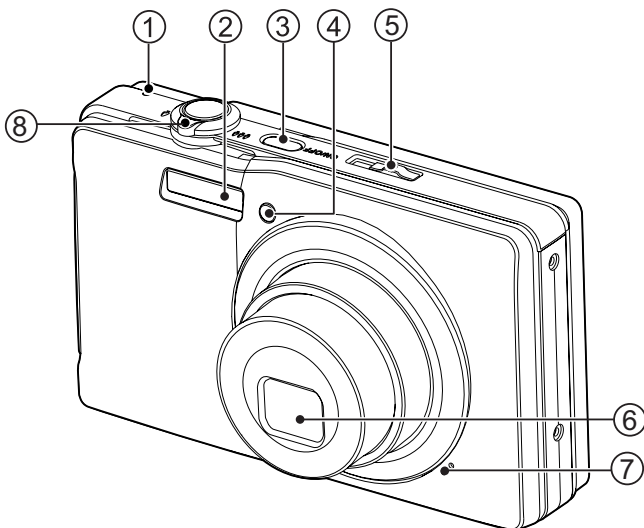


GETTING TO KNOW YOUR OPTIMA 1438m

Front View



1. Status LED
2. Flash
3. **ON/OFF** Power button
4. Self-timer LED
5. Mode switch
6. Lens
7. Microphone
8. Zoom lever

